

Dual Port Transformer Design For Gigabit Ethernet .  
100/1000 Base-T Full Duplex Applications.

Supports 4 Pairs Of Category 5 UTP Cable

Compliant With IEEE802.3 Standards For 1000Base-T.

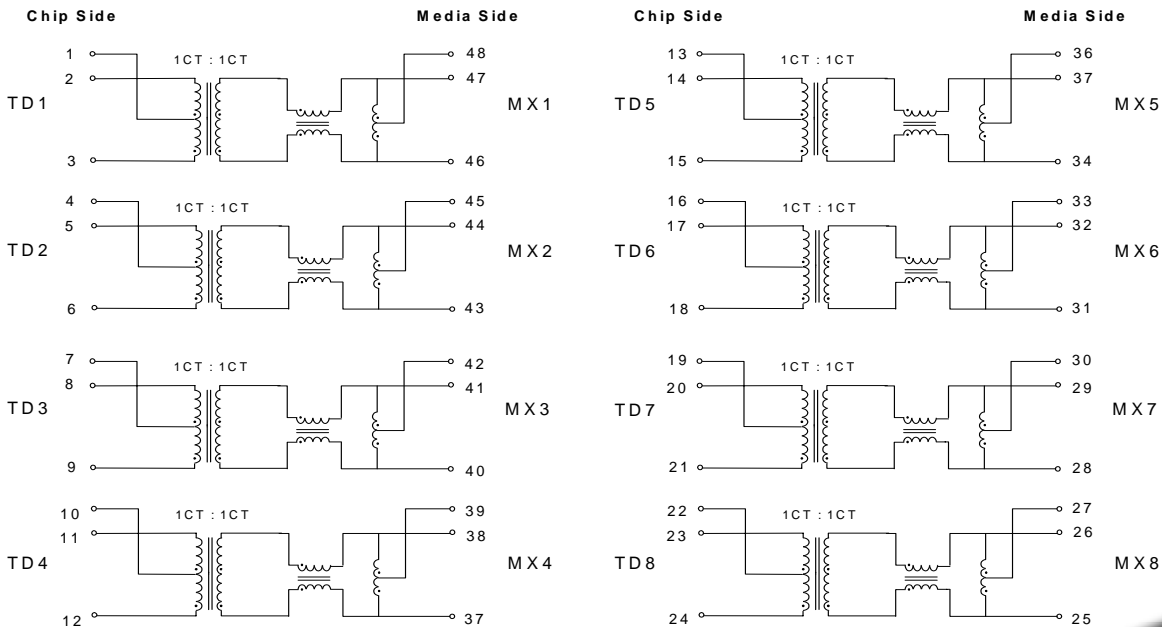
Compatible With Various 100/1000TX Transceiver Requiring 1:1 Transmit and Receive Turns Ratio.

### ELECTRICAL SPECIFICATIONS @ 25°C

Part Number	Insertion Loss (dB max)	Return Loss (dB min)			CMRR (dB min)			Crosstalk (dB min)		
		1-100MHz	1-30MHz	60MHz 80MHz	1-30MHz	60MHz 80-100MHz	1-30MHz	60MHz	80-100MHz	
TG2441F	-1.4	-16	-12	-10	-45	-40	-35	-45	-38	-33
TG2462F	-1.4	-16	-12	-10	-45	-40	-35	-45	-38	-33

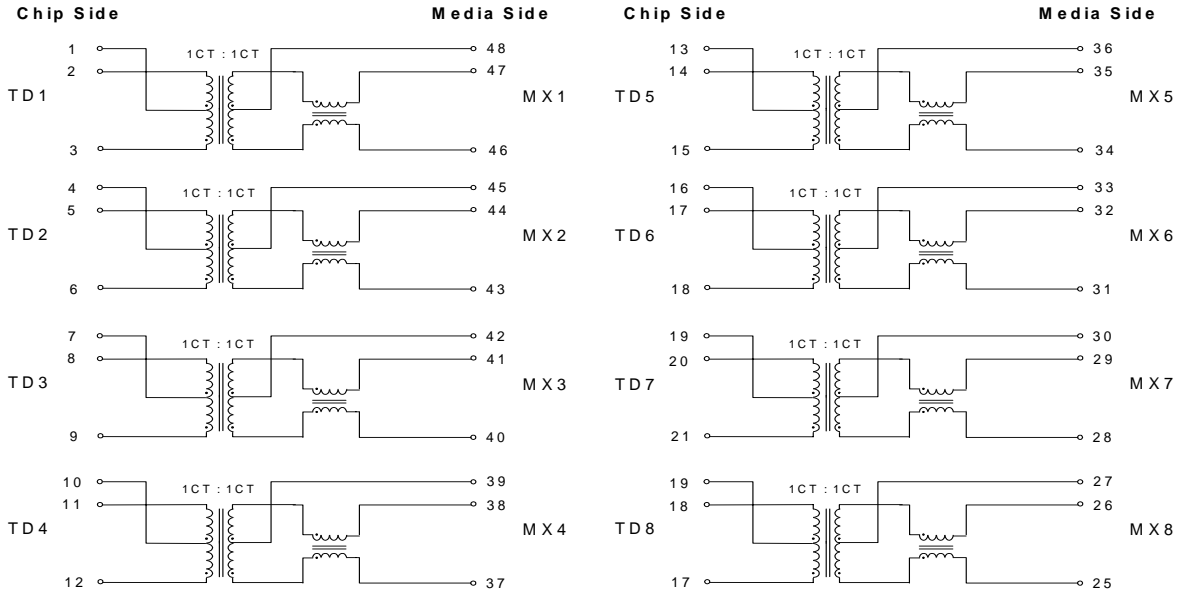
All models meet Isolation Voltage (Hi-Pot) of 1500Vrms (1 min)  
Operating Temperature : 0°C - 70°C

### TG2441F

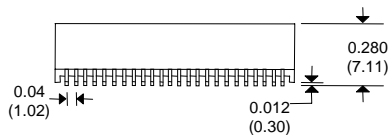
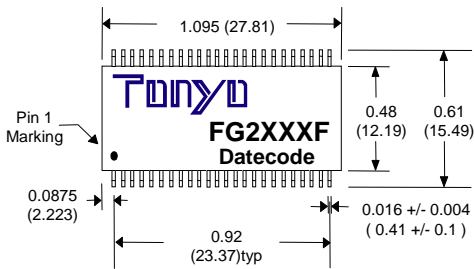


## MECHANICAL SPECIFICATIONS

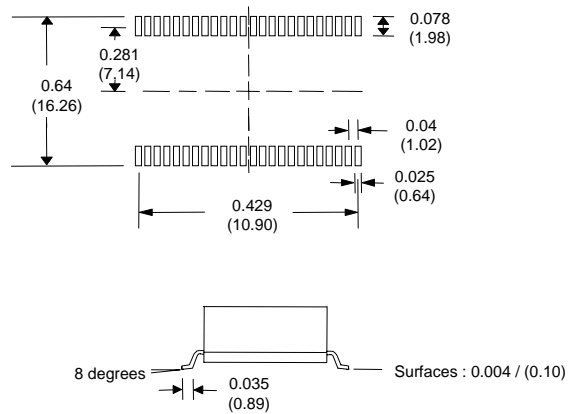
### TG2462F



### TG2441F , TG2462F



#### RECOMMENDED PAD LAYOUT :



DIMENSIONS : INCHES (mm) UNLESS OTHERWISE SPECIFIED, ALL TOLERANCES ARE +/- 0.010 (0.254)

Specifications Subject To Change Without Prior Notice

**Tonyo Electronics Co., Ltd**

**Head Quarters:**  
5F, NO.8, Alley 4, lane 287, sec.1,  
Nankang Rd., Taipei, Taiwan  
Tel: 886-2-2788-2272  
Tax: 886-2-2788-1902

**Singapore Office:**  
515 Yishun Industrial Park A C.E.  
Building, #02-00A Singapore 768737  
Tel: 65-6853-7678  
Fax: 65-6853-2467

2.2.2

100/1000 Base-T  
Transformer Modules

WWW.TONYO.COM.TW