

Available with or without LEDs

350uH OCL When Biased at 8mA From 0°C to 70°C.

Meets or exceeds IEEE 802.3 standard for 10/100 Base-TX.

Operating temperature 0°C to 70°C.

Storage temperature -40°C to +85°C.

Minimum 1500Vrms isolation per IEEE802.3 requirement

## TRANSFORMER ELECTRICAL SPECIFICATIONS @ 25°C

Part Number	Turns Ratios		Metal Shell	LEDs (L/R)	Insertion Loss (dB typ.)	Return Loss ( 100Ω±15Ω ) (dB typ.)				Cross talk (dB typ.)			C.M.R (dB typ.)		Hi-pot (Vrms)
	TX	RX				1-65MHz	1-30	30-60	60-80	1-30	30-60	60-100	1-60	60-100	
M22DN-008110A	1CT:1CT	1CT:1CT	NO	N/A	-1	-18	-16	-12	-40	-35	-30	-40	-30	1500	
M22DN-008111A	1CT:1CT	1CT:1CT	NO	G/Y	-1	-18	-16	-12	-40	-35	-30	-40	-30	1500	
M22DS-008110A	1CT:1CT	1CT:1CT	YES	N/A	-1	-18	-16	-12	-40	-35	-30	-40	-30	1500	
M22DS-008111A	1CT:1CT	1CT:1CT	YES	G/Y	-1	-18	-16	-12	-40	-35	-30	-40	-30	1500	
M22DS-008112A	1CT:1CT	1CT:1CT	YES	G/G	-1	-18	-16	-12	-40	-35	-30	-40	-30	1500	
M22DN-008120A	1CT:1CT	1CT:1CT	NO	G/Y	-1	-18	-16	-12	-40	-35	-30	-40	-30	1500	
M22DS-008123A	1CT:1CT	1CT:1CT	YES	Y/G	-1	-18	-16	-12	-40	-35	-30	-40	-30	1500	
M22DN-008260A	1CT:1CT	1CT:1CT	NO	N/A	-1	-18	-16	-12	-40	-35	-30	-40	-30	1500	
M22DS-008261A	1CT:1CT	1CT:1CT	NO	G/Y	-1	-18	-16	-12	-40	-35	-30	-40	-30	1500	
M22DS-008262A	1CT:1CT	1CT:1CT	NO	G/G	-1	-18	-16	-12	-40	-35	-30	-40	-30	1500	
M22DN-008260A	1CT:1CT	1CT:1CT	YES	N/A	-1	-18	-16	-12	-40	-35	-30	-40	-30	1500	
M22DS-008261A	1CT:1CT	1CT:1CT	YES	G/Y	-1	-18	-16	-12	-40	-35	-30	-40	-30	1500	
M22DS-008262A	1CT:1CT	1CT:1CT	YES	G/G	-1	-18	-16	-12	-40	-35	-30	-40	-30	1500	

NOTES :1 . LEDs Left/Right G =green , Y =yellow , N/A =none  
2 . C . M . R . = Common Mode Rejection

## Material Specification

Housing / Insert : Thermal Plastic , UL94V - 0 , Black  
 Plastic Cell / Base : Phenolic PM9630 , UL94V - 0 , Black  
 Terminal : Phosphor Broze , Selective gold on contact area , 100u"  
 Tin on solder area , both over 50u" nickel under - plated  
 Solder leg : Copper alloy , 100u" tin over 50u" nickel under - plated  
 Metal shield / Back cover : Copper alloy , Nickel plated

Tonyo Electronics Co., Ltd

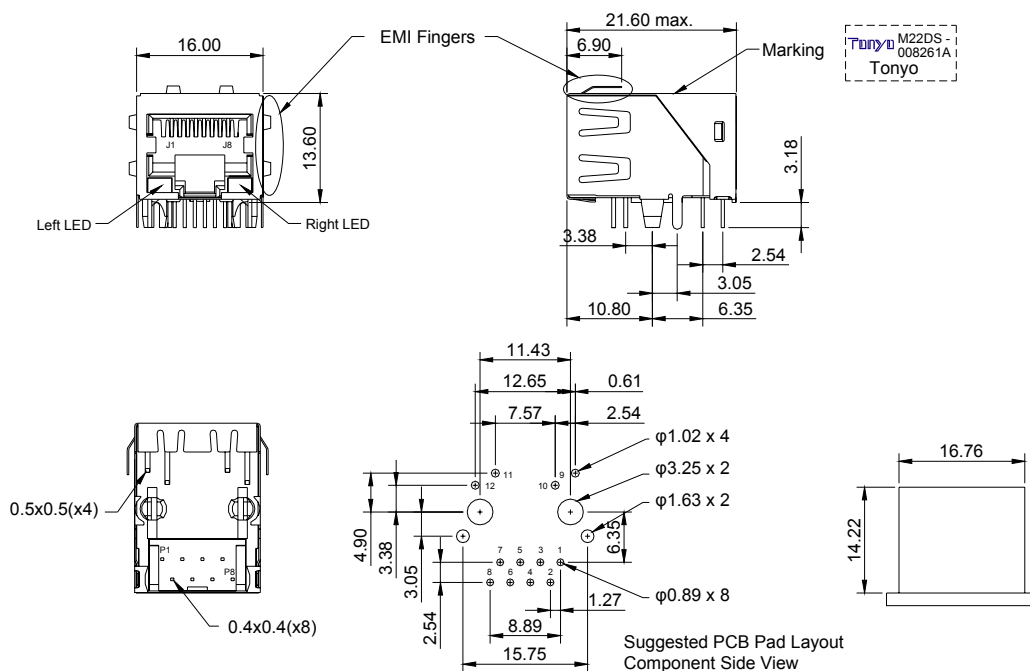
3.1.1

10/100 Base-T  
Single Port RJ45 Tab-down

## CONNECTOR DURABILITY TESTING RATING

<b>Locking Force</b>	Assy to remain engaged and Electrical continuity maintained	Insert Plug and Apply a 50N axial static loag 60 sec. to mated Assembly
<b>Vibration</b>	See note 50mΩ max	EIA-364-28 Amplitude:1.52mm,Period:2 hours for each direction X,Y,Z axis
<b>Durability</b>	See note 50mΩ max	EIA-364-09 Connector shall be subjected to 750 cycles of Insertion and withdraw al
<b>Humidity</b>	See note 50mΩ max	EIA-364-31A , methodn , condition A Temperature : 40±2 , Humidity : 90~95%(RH)Period : 96 hours
<b>Solder-ability</b>	90% min	EIA-364-552 Temperature : 235 , 5 sec
<b>Resistance to Soldering Heat</b>	See note 50mΩ max	EIA-364-56A Spesimen shall be mounted on PCB 260±5 , 10±0.5 sec
<b>Cold Resistance</b>	See note 50mΩ max	EIA-364-52A Spesimen shall be mounted on PCB - 40±3 , 2 hours
<b>Temperature Life</b>	See note 50mΩ max	EIA-364-17A , methodn A , condition 3 Temperature : 85±3 , Period : 250 hours

### MECHANICAL



NOTES : 1. Connector dimensions comply with FCC 68.5 dimension requirements

Specifications Subject To Change Without Prior Notice

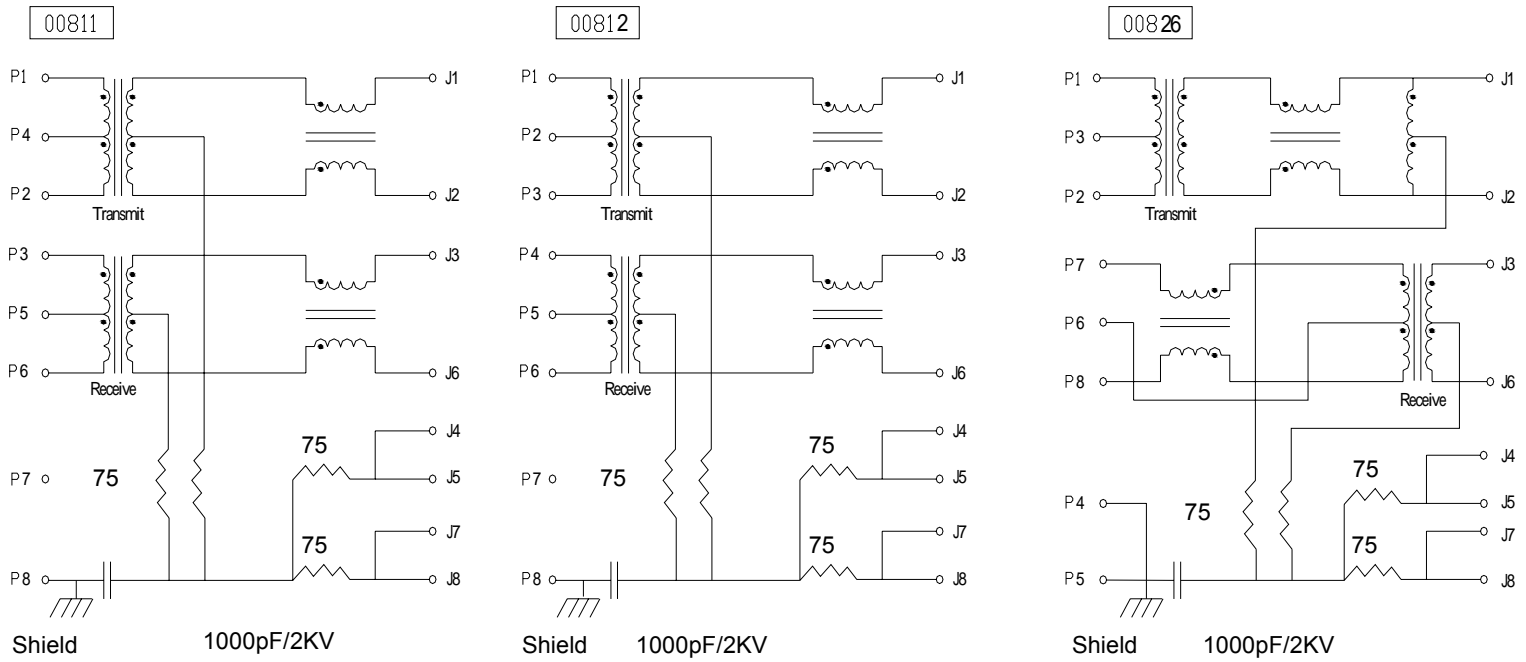
**Tonyo Electronics Co., Ltd**

**Head Quarters:**  
5F,NO.8,Alley 4,lane 287,sec.1,  
Nankang Rd.,Taipei,Taiwan  
Tel:886-2-2788-2272  
Tax:886-2-2788-1902

**Singapore Office:**  
515 Yishun Industrial Park A C.E.  
Building, #02-00A Singapore 768737  
Tel:65-6853-7678  
Fax:65-6853-2467

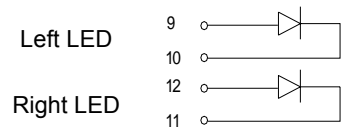
3.1.2

# 10/100 Base-T Single Port RJ45 Tab-down



**LED CONFIGURATION**

Standard LED	Wavelength	Forward V(max)	(typ.)
Yellow	585nm	2.5V	2.1V
Green	565nm	2.5V	2.1V



Specifications Subject To Change Without Prior Notice

**Head Quarters:**  
5F,NO.8,Alley 4,lane 287,sec.1,  
Nankang Rd.,Taipei,Taiwan  
Tel:886-2-2788-2272  
Tax:886-2-2788-1902

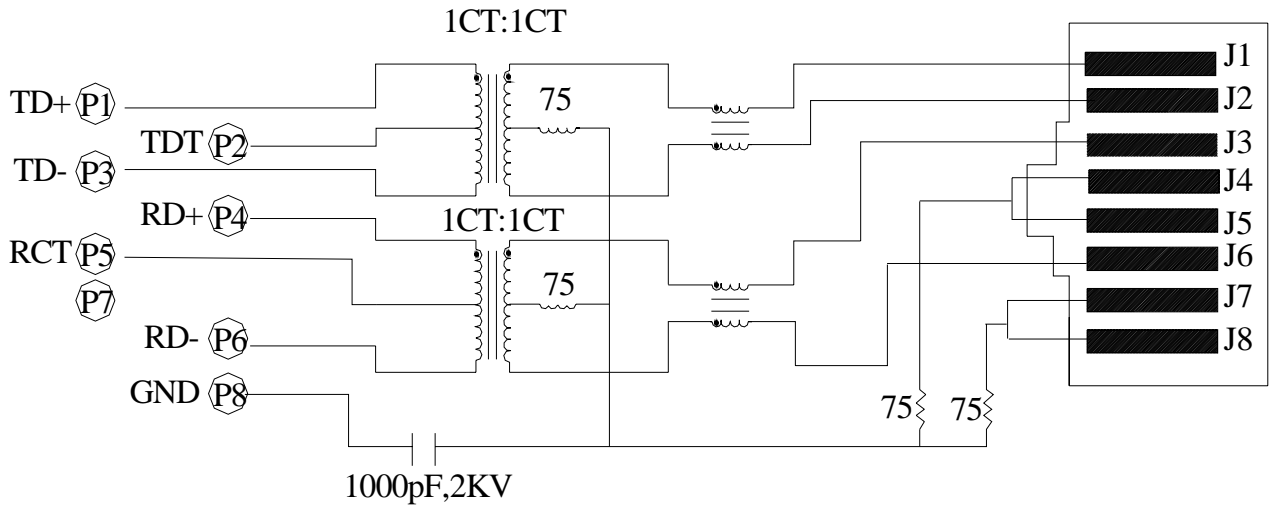
**Singapore Office:**  
515 Yishun Industrial Park A C.E.  
Building, #02-00A Singapore 768737  
Tel:65-6853-7678  
Fax:65-6853-2467

**Tonyo Electronics Co., Ltd**

3.1.3



**SCHEMATIC**



**MATERIALS**

**Housing(Insert)**

Thermal Plastic PBT( PA6T) / UL94V-0 Black

**Terminal**

Phosphor Bronze, Selective Gold on Contact Area 100u"

Tin on solder Area, Both over 6u" Nickel Under-plated

Solder Leg, Copper Alloy 100u" Tin over 50u", Nickel Under-plated

**Shell**

Copper Alloy t=0.20mm, Nickel-plated

**PCB**

Two layer / FR4, t=0.70mm

**Cover**

Thermal Plastic PBT UL94V-0 Black

**Transformer coil**

Ferrite Core / Winding wire 1-UEW

Adhesive, Epoxy & Silicone

*Specifications Subject To Change Without Prior Notice*

**Tonyo Electronics Co., Ltd**

**Head Quarters:**

5F,NO.8,Alley 4,lane 287,sec.1,  
Nankang Rd.,Taipei,Taiwan  
Tel:886-2-2788-2272  
Tax:886-2-2788-1902

**Singapore Office:**

515 Yishun Industrial Park A C.E.  
Building, #02-00A Singapore 768737  
Tel:65-6853-7678  
Fax:65-6853-2467

3.1.5

**10/100 Base-T  
Single Port RJ45 Tab-down**