

Quad Port Transformer Modules Designed For 10/100 Base-Tx MultiPort Hub Applications.

Compliant With IEEE802.3 And ANSI X326 Standard Including Baseline Wander Compensation Specification Of 350uH OCL When Biased at 8mA From 0°C to 70°C.

Compatible With Various 10/100TX Transceiver Requiring 1:1 Transmit and Receive Turns Ratio.

ELECTRICAL SPECIFICATIONS @ 25°C

Part Number	Insertion Loss (dB max)	Return Loss (dB min)				CMRR (dB min)			Crosstalk (dB min)			SCHEMATICS / PACKAGE
	1-100MHz	1-30MHz	60MHz	80MHz	1-30MHz	60MHz	80-100MHz	1-30MHz	60MHz	80-100MHz		
TH4461F	-1	-16	-12	-10	-42	-40	-35	-42	-40	-38	S1 / P1	
TH4261P	-1	-16	-12	-10	-42	-40	-35	-42	-40	-38	S1 / P2	
TH4462F	-1	-16	-12	-10	-42	-40	-35	-42	-40	-38	S2 / P1	
TH4262P	-1	-16	-12	-10	-42	-40	-35	-42	-40	-38	S2 / P2	
TH4463F	-1	-16	-12	-10	-40	-38	-34	-40	-38	-36	S3 / P1	
TH4263P	-1	-16	-12	-10	-40	-38	-34	-40	-38	-36	S3 / P2	
TH4464F	-1	-16	-12	-10	-42	-40	-35	-40	-38	-36	S4 / P1	
TH4264P	-1	-16	-12	-10	-42	-40	-35	-40	-38	-36	S4 / P2	
TH4465F	-1	-16	-12	-10	-42	-40	-35	-40	-38	-36	S5 / P1	
TH4265P	-1	-16	-12	-10	-42	-40	-35	-40	-38	-36	S5 / P2	
TH4466F	-1	-16	-12	-10	-40	-38	-34	-40	-38	-36	S6 / P1	
TH4266P	-1	-16	-12	-10	-40	-38	-34	-40	-38	-36	S6 / P2	
TH4467F	-1	-16	-12	-10	-40	-38	-34	-40	-38	-36	S7 / P1	
TH4267P	-1	-16	-12	-10	-40	-38	-34	-40	-38	-36	S7 / P2	
TH4468F	-1	-16	-12	-10	-45	-40	-35	-40	-38	-35	S8 / P1	
TH4268P	-1	-16	-12	-10	-45	-40	-35	-40	-38	-35	S8 / P2	
TH4561F	-1	-18	-12	-10	-45	-40	-35	-42	-40	-38	S9 / P1	
TH4361P	-1	-18	-12	-10	-45	-40	-35	-42	-40	-38	S9 / P2	
TH4365P	-1	-18	-12	-10	-45	-40	-35	-42	-40	-38	S10 / P2	

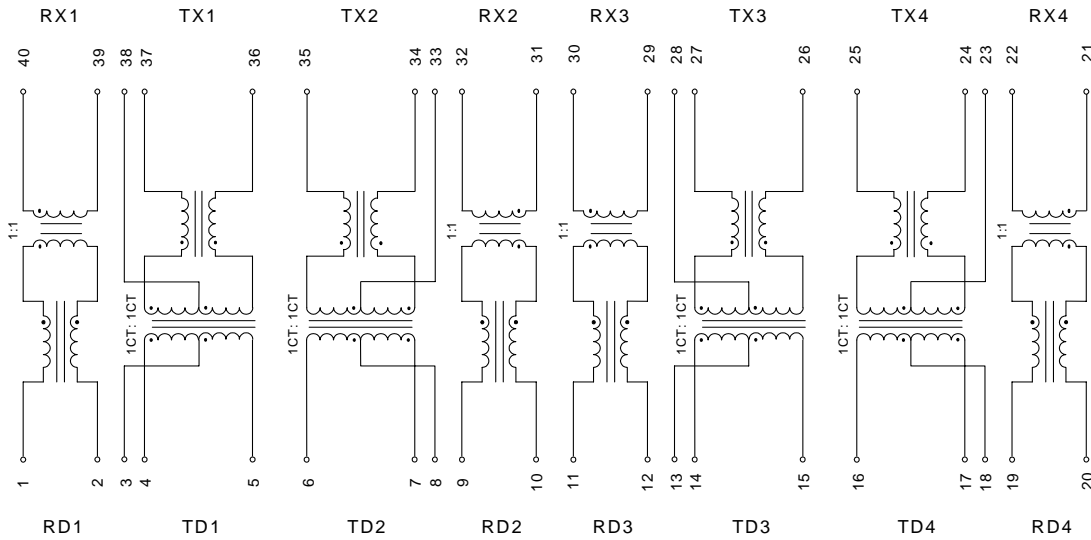
All models meet Isolation Voltage (Hi-Pot) of 1500Vrms (1 min)
Operating Temperature : 0°C - 70°C

Tonyo Electronics Co., Ltd

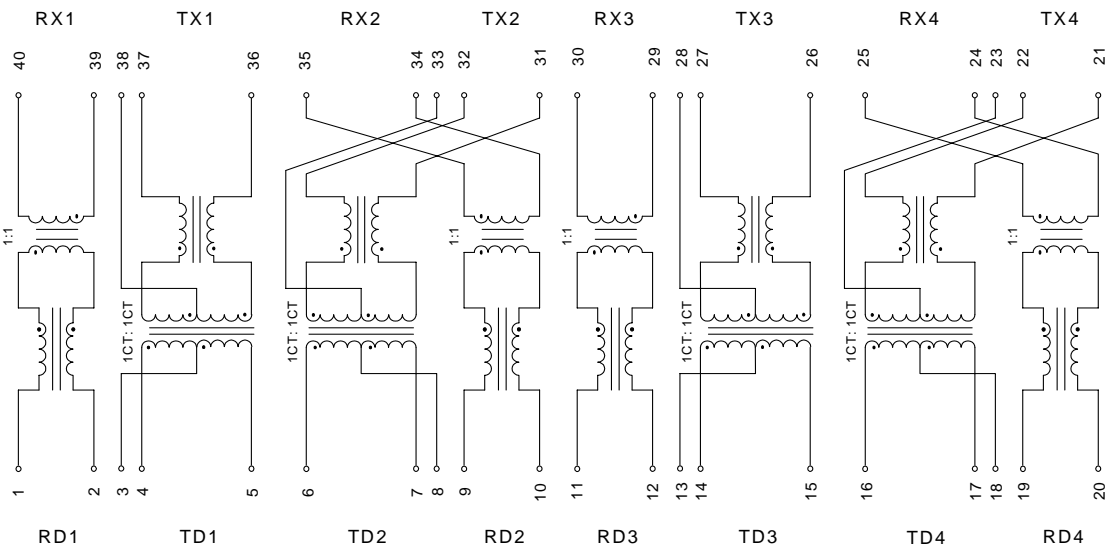
1.3.1

SCHEMATICS

S 1



S 2



Specifications Subject To Change Without Prior Notice

Tonyo Electronics Co., Ltd

Head Quarters:
5F, NO.8, Alley 4, lane 287, sec.1,
Nankang Rd., Taipei, Taiwan
Tel: 886-2-2788-2272
Tax: 886-2-2788-1902

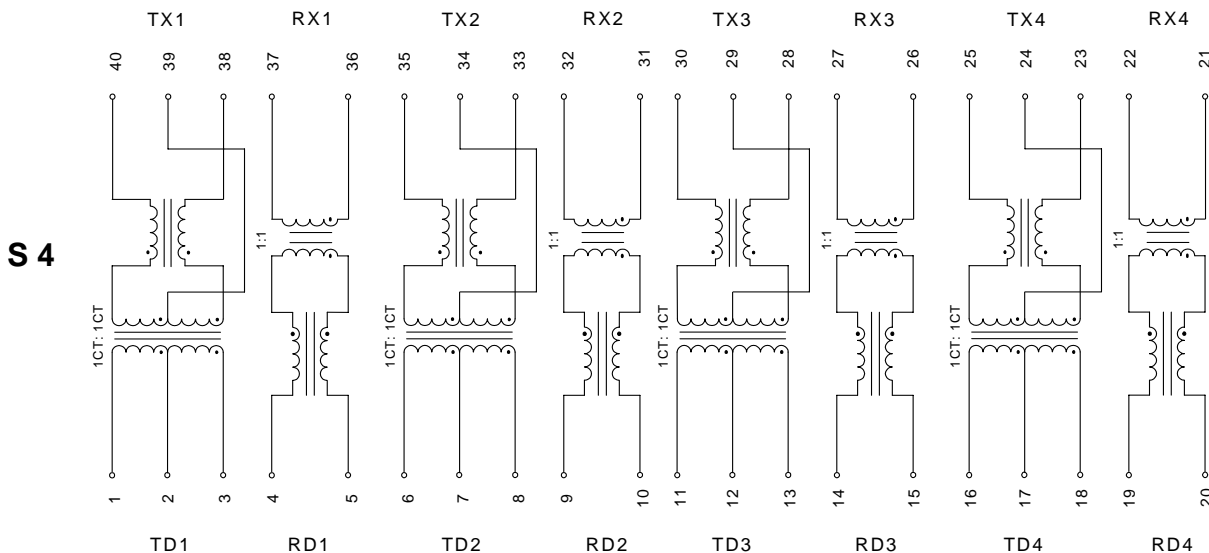
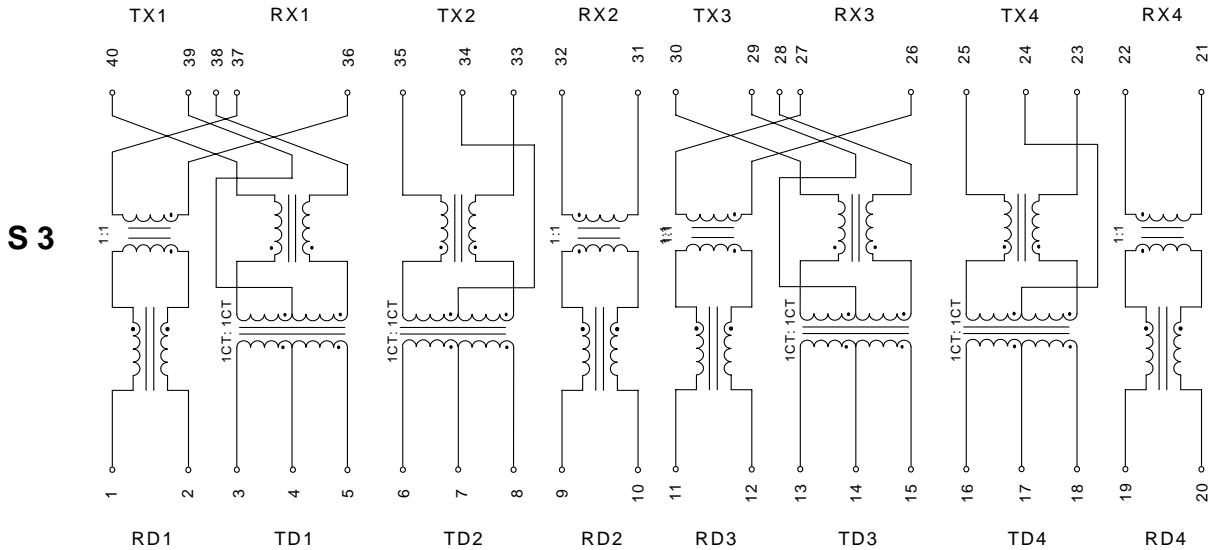
Singapore Office:
515 Yishun Industrial Park A C.E.
Building, #02-00A Singapore 768737
Tel: 65-6853-7678
Fax: 65-6853-2467

1.3.2

**10/100 Base-T
Transformer Modules**

WWW.TONYO.COM.TW

SCHEMATICS (Continued)



Specifications Subject To Change Without Prior Notice

Head Quarters:
5F, NO.8, Alley 4, lane 287, sec.1,
Nankang Rd., Taipei, Taiwan
Tel: 886-2-2788-2272
Tax: 886-2-2788-1902

Singapore Office:
515 Yishun Industrial Park A C.E.
Building, #02-00A Singapore 768737
Tel: 65-6853-7678
Fax: 65-6853-2467

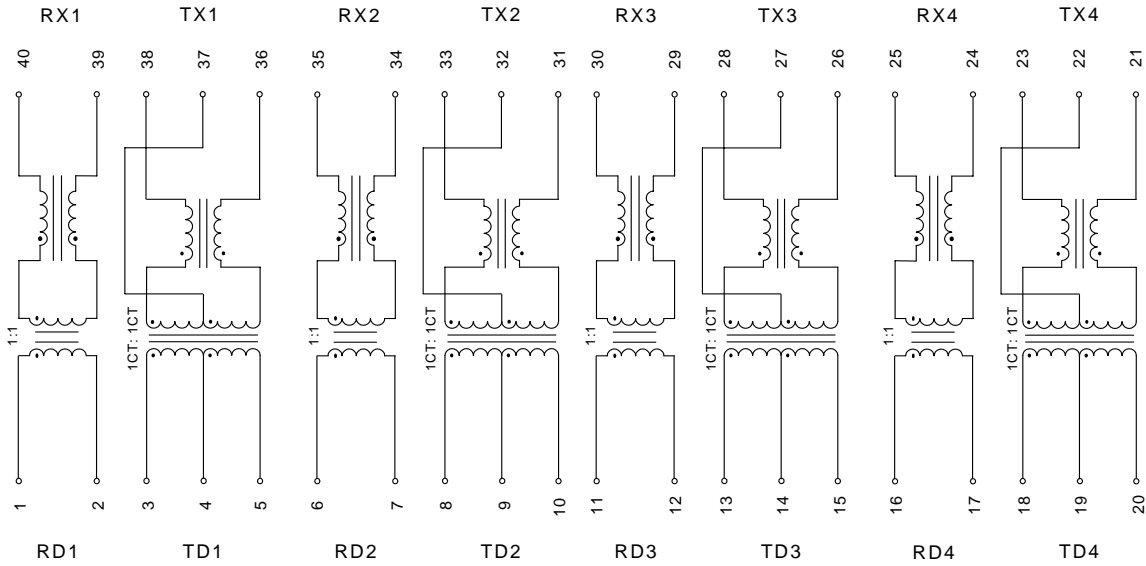
Tonyo Electronics Co., Ltd

1.3.3

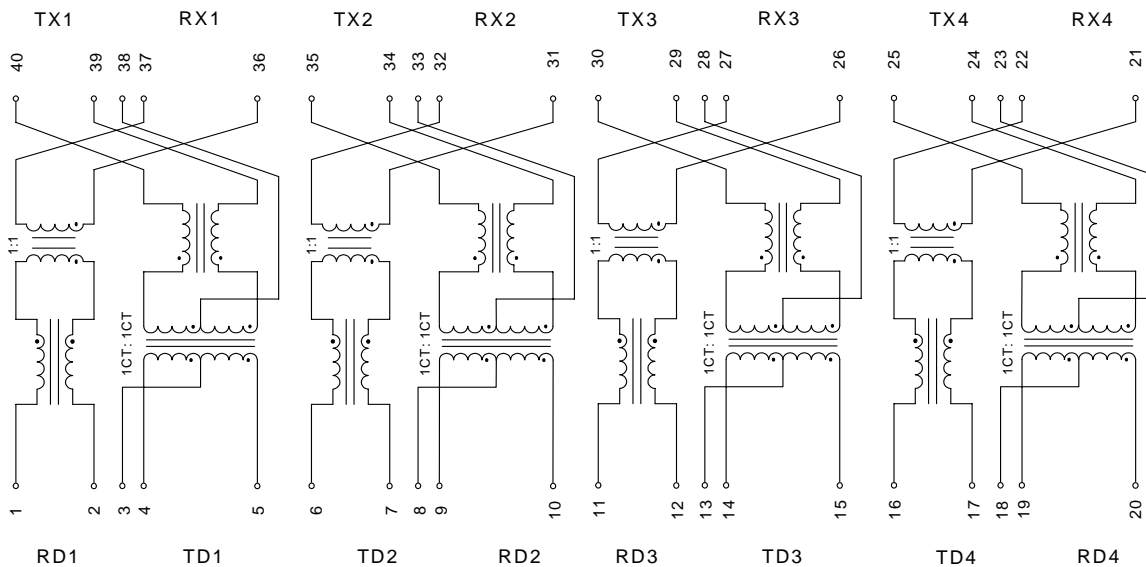
**10/100 Base-T
Transformer Modules**

SCHEMATICS (Continued)

S 5



S 6



Specifications Subject To Change Without Prior Notice

Tonyo Electronics Co., Ltd

Head Quarters:
5F, NO.8, Alley 4, lane 287, sec.1,
Nankang Rd., Taipei, Taiwan
Tel: 886-2-2788-2272
Tax: 886-2-2788-1902

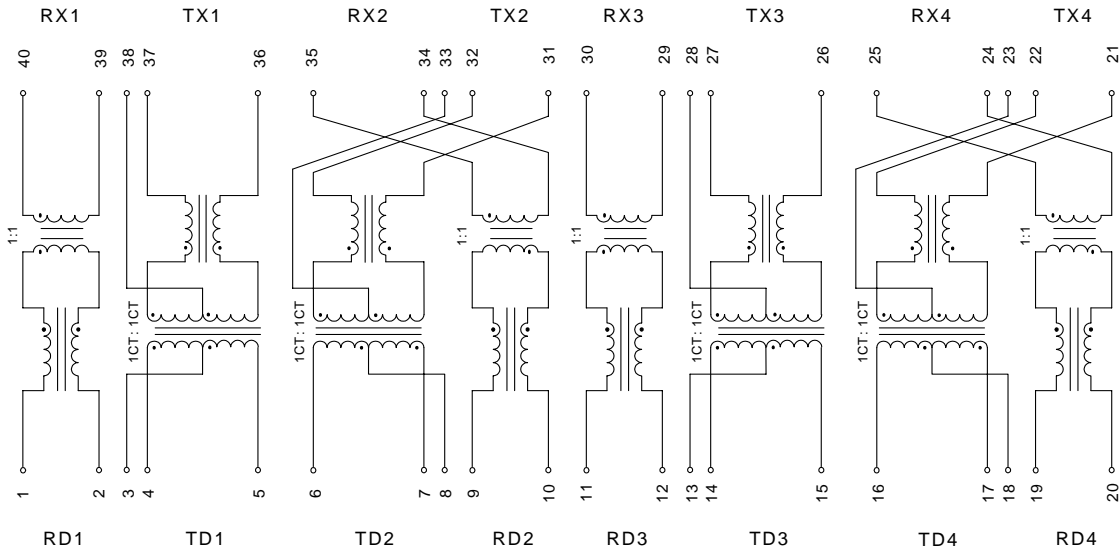
Singapore Office:
515 Yishun Industrial Park A C.E.
Building, #02-00A Singapore 768737
Tel: 65-6853-7678
Fax: 65-6853-2467

1.3.4

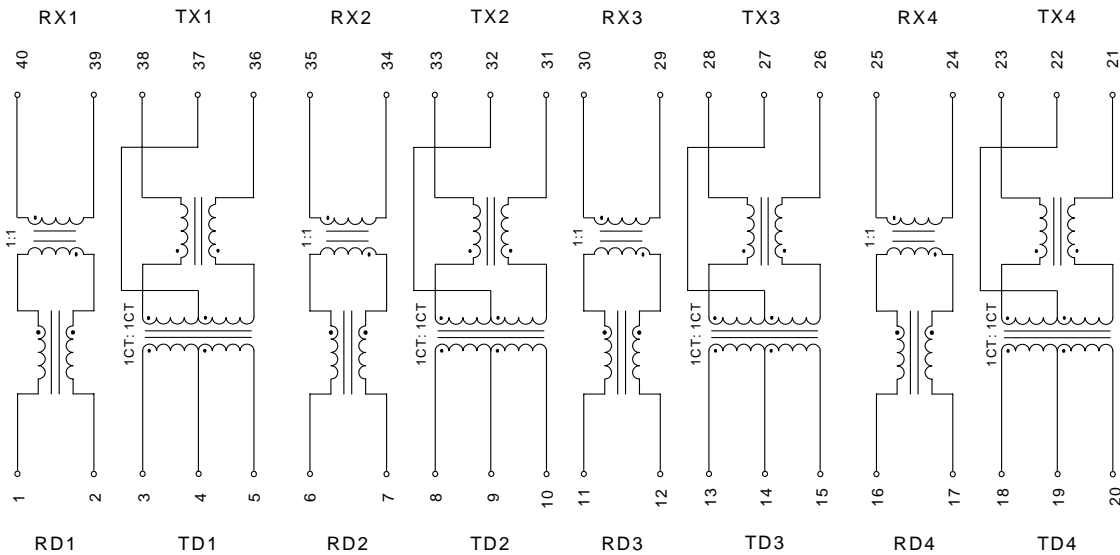
**10/100 Base-T
Transformer Modules**

WWW.TONYO.COM.TW

S 7



S 8



Specifications Subject To Change Without Prior Notice

Head Quarters:
5F, NO.8, Alley 4, Lane 287, sec.1,
Nankang Rd., Taipei, Taiwan
Tel: 886-2-2788-2272
Tax: 886-2-2788-1902

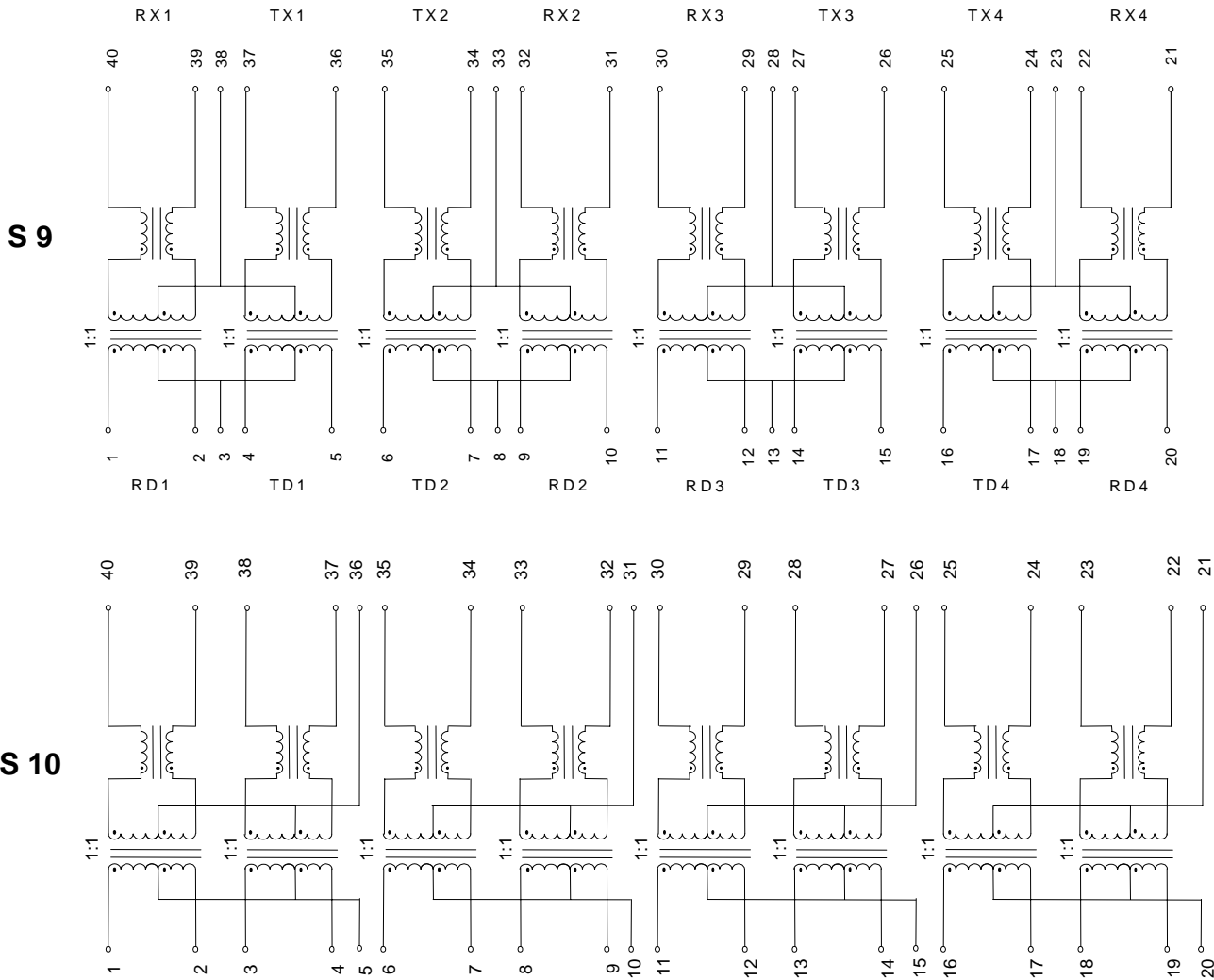
Singapore Office:
515 Yishun Industrial Park A C.E.
Building, #02-00A Singapore 768737
Tel: 65-6853-7678
Fax: 65-6853-2467

Tonyo Electronics Co., Ltd

1.3.5

**10/100 Base-T
Transformer Modules**

SCHEMATICS (Continued)



Specifications Subject To Change Without Prior Notice

Tonyo Electronics Co., Ltd

Head Quarters:
5F, NO.8, Alley 4, lane 287, sec.1,
Nankang Rd., Taipei, Taiwan
Tel: 886-2-2788-2272
Tax: 886-2-2788-1902

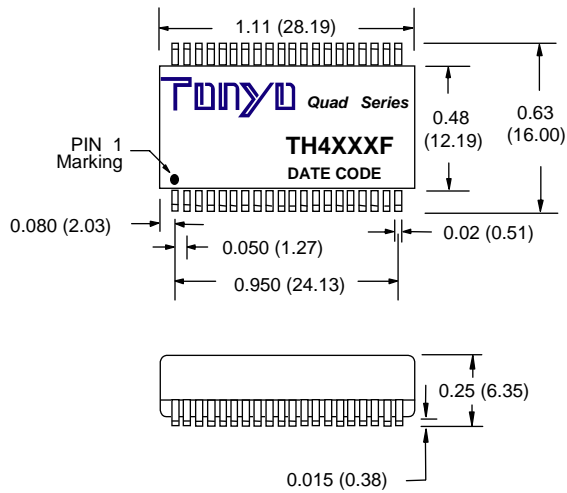
Singapore Office:
515 Yishun Industrial Park A C.E.
Building, #02-00A Singapore 768737
Tel: 65-6853-7678
Fax: 65-6853-2467

1.3.6

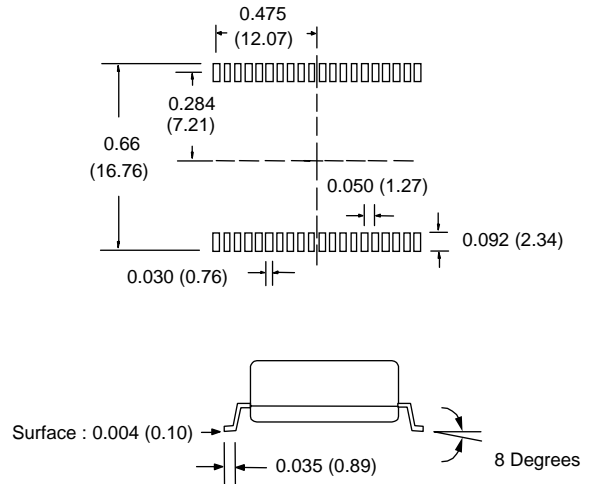
**10/100 Base-T
Transformer Modules**

MECHANICAL SPECIFICATIONS

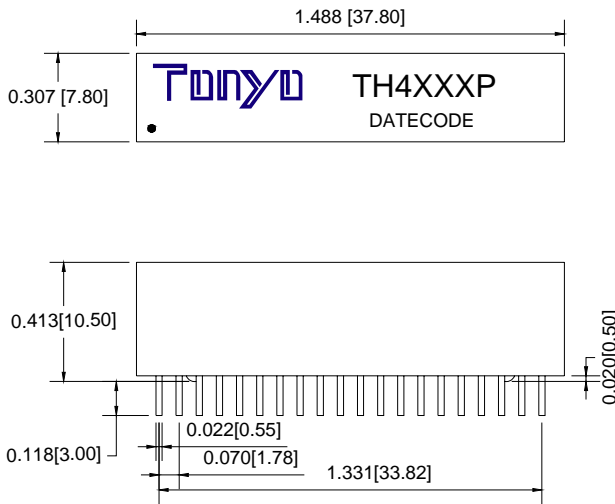
P 1



RECOMMENDED PAD LAYOUT :



P 2



Units: inch [mm] Tolerances: xx.xx±0.010 [0.25]
0.xx±0.002 [0.05]

Specifications Subject To Change Without Prior Notice

Head Quarters:
5F, NO.8, Alley 4, Lane 287, sec.1,
Nankang Rd., Taipei, Taiwan
Tel: 886-2-2788-2272
Tax: 886-2-2788-1902

Singapore Office:
515 Yishun Industrial Park A C.E.
Building, #02-00A Singapore 768737
Tel: 65-6853-7678
Fax: 65-6853-2467

Tonyo Electronics Co., Ltd

1.3.7