

Dual Port Transformer Modules Designed For 10/100 Base-Tx MultiPort Hub Applications.

Compliant With IEEE802.3 And ANSI X326 Standard Including Baseline Wander Compensation Specification Of 350uH OCL When Biased at 8mA From 0°C to 70°C.

Compatible With Various 10/100TX Transceiver Requiring 1:1 Transmit and Receive Turns Ratio.

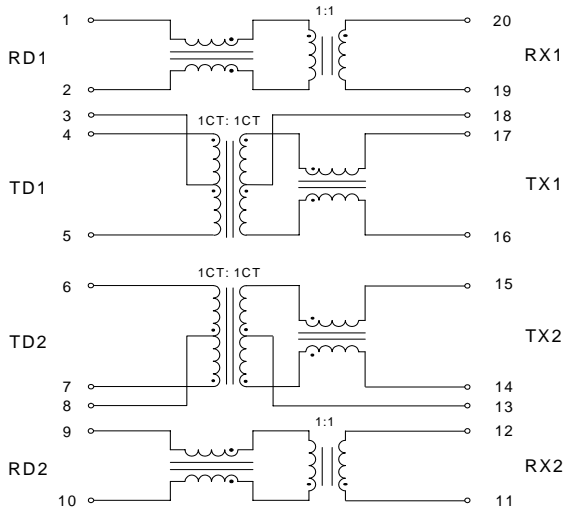
## ELECTRICAL SPECIFICATIONS @ 25°C

Part Number	Insertion Loss (dB max)	Return Loss (dB min)				CMRR (dB min)			Crosstalk (dB min)			SCHEMATICS / PACKAGE
		1-100MHz	1-30MHz	60MHz	80MHz	1-30MHz	60MHz	80-100MHz	1-30MHz	60MHz	80-100MHz	
TH2081D	-1	-18	-12	-10	-40	-35	-30	-45	-40	-35	S1 / P1	
TH2281P	-1	-18	-12	-10	-40	-35	-30	-45	-40	-35	S1 / P2	
TH2082D	-1	-18	-12	-10	-40	-35	-30	-45	-40	-35	S2 / P1	
TH2282P	-1	-18	-12	-10	-40	-35	-30	-45	-40	-35	S2 / P2	
TH2083D	-1	-18	-12	-10	-40	-35	-30	-45	-40	-35	S3 / P1	
TH2283P	-1	-18	-12	-10	-40	-35	-30	-45	-40	-35	S3 / P2	
TH2084D	-1	-18	-12	-10	-40	-35	-30	-45	-40	-35	S4 / P1	
TH2284P	-1	-18	-12	-10	-40	-35	-30	-45	-40	-35	S4 / P2	
TH2184D	-1	-18	-12	-10	-40	-35	-30	-45	-40	-35	S8 / P1	
TH2384P	-1	-18	-12	-10	-40	-35	-30	-45	-40	-35	S8 / P2	
TH2401F	-1	-18	-12	-10	-40	-35	-30	-45	-40	-35	S5 / P3	
TH2402F	-1	-18	-12	-10	-40	-35	-30	-45	-40	-35	S6 / P3	
TH2403F	-1	-18	-12	-10	-40	-35	-30	-45	-40	-35	S7 / P3	

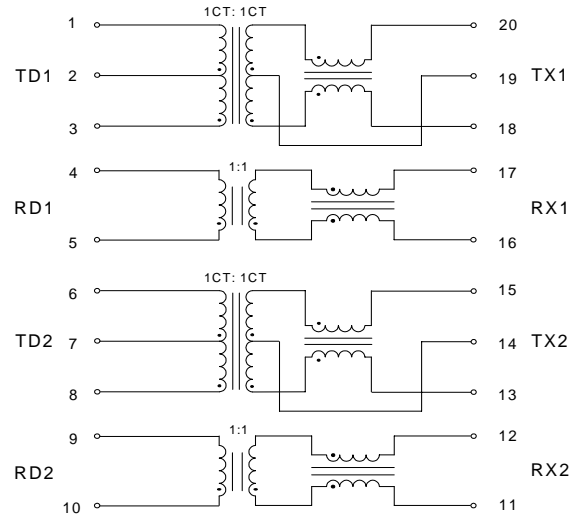
All models meet Isolation Voltage (Hi-Pot) of 1500Vrms (1 min)  
Operating Temperature : 0°C - 70°C

**SCHEMATICS**

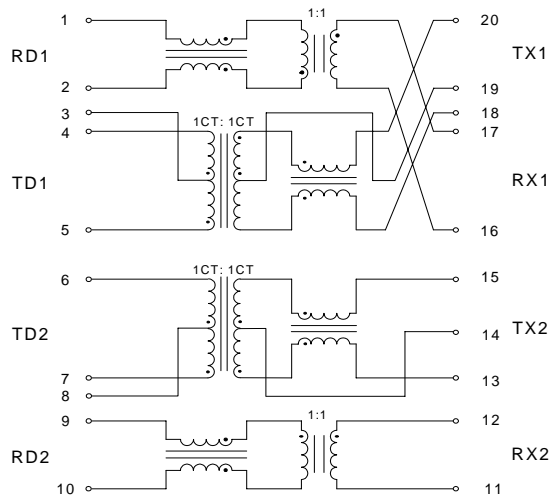
**S 1**



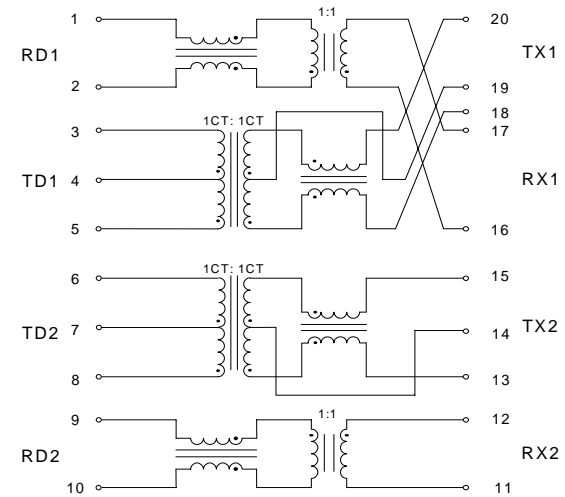
**S 2**



**S 3**



**S 4**



Specifications Subject To Change Without Prior Notice

**Tonyo Electronics Co., Ltd**

**Head Quarters:**  
5F, NO.8, Alley 4, lane 287, sec.1,  
Nankang Rd., Taipei, Taiwan  
Tel: 886-2-2788-2272  
Tax: 886-2-2788-1902

**Singapore Office:**  
515 Yishun Industrial Park A C.E.  
Building, #02-00A Singapore 768737  
Tel: 65-6853-7678  
Fax: 65-6853-2467

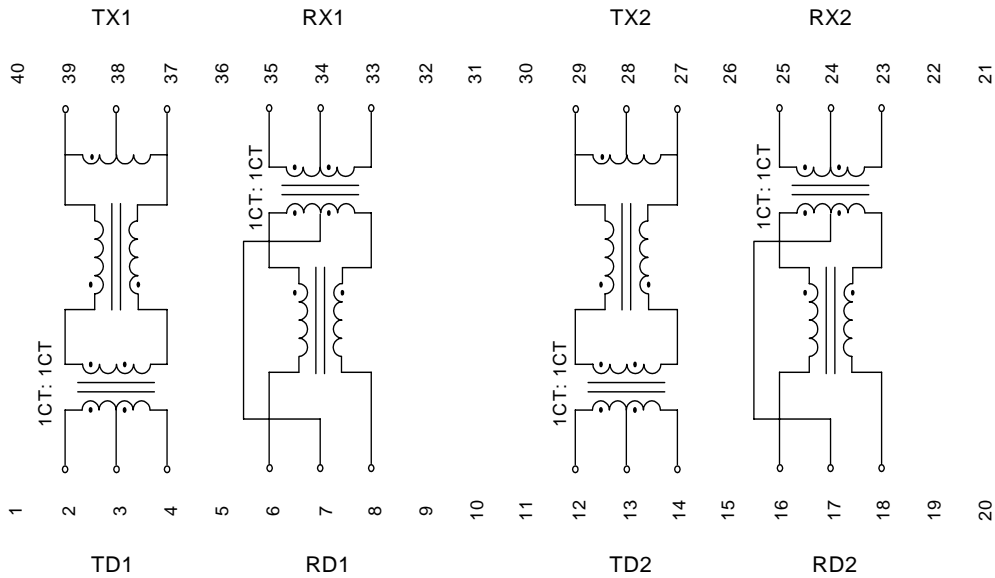
1.2.2

**10/100 Base-T  
Transformer Modules**

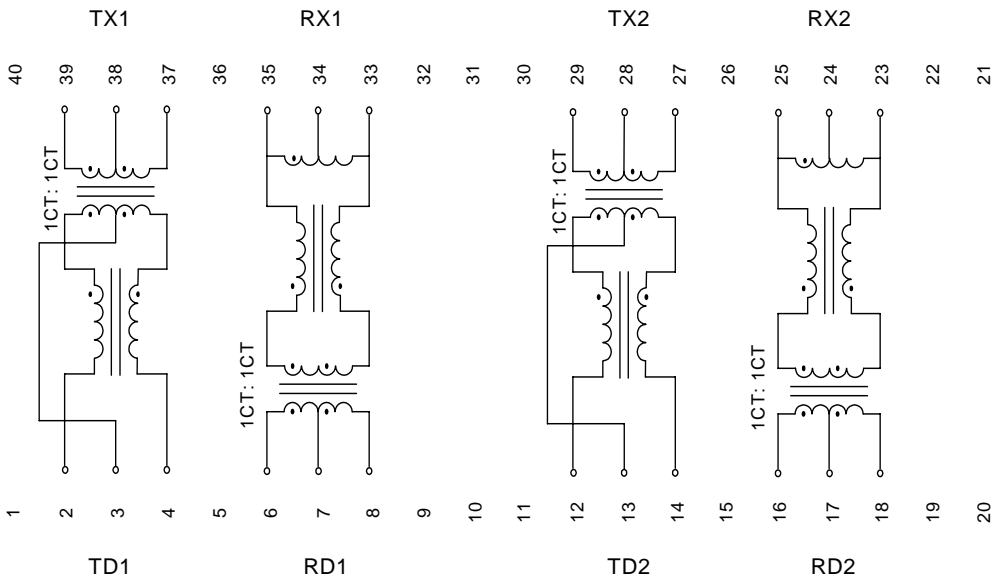
WWW.TONYO.COM.TW

**SCHEMATICS (Continued)**

**S 5**



**S 6**



*Specifications Subject To Change Without Prior Notice*

**Head Quarters:**  
5F, NO.8, Alley 4, lane 287, sec.1,  
Nankang Rd., Taipei, Taiwan  
Tel: 886-2-2788-2272  
Tax: 886-2-2788-1902

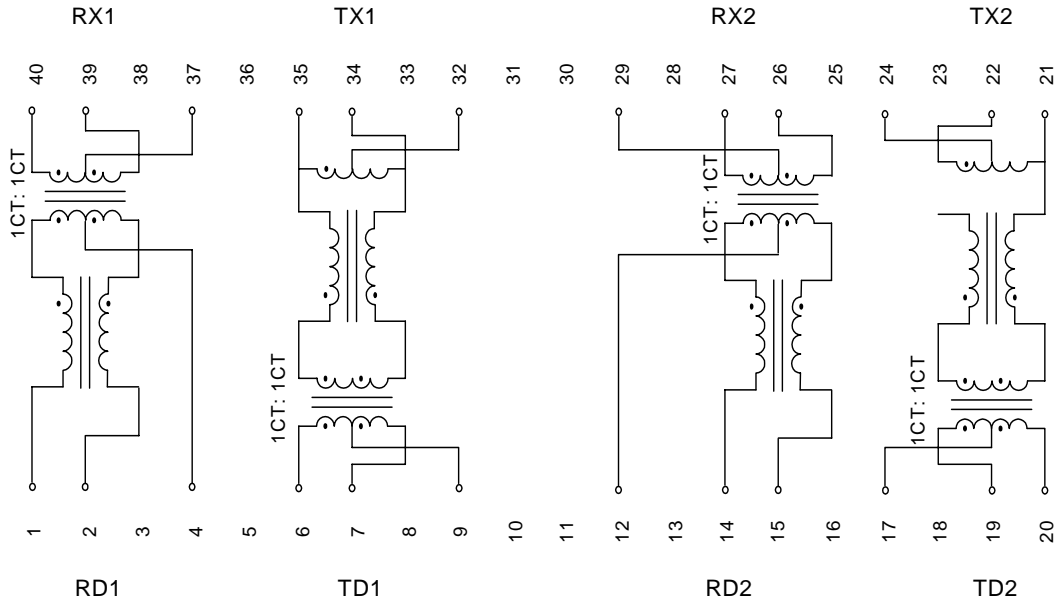
**Singapore Office:**  
515 Yishun Industrial Park A C.E.  
Building, #02-00A Singapore 768737  
Tel: 65-6853-7678  
Fax: 65-6853-2467

**Tonyo Electronics Co., Ltd**

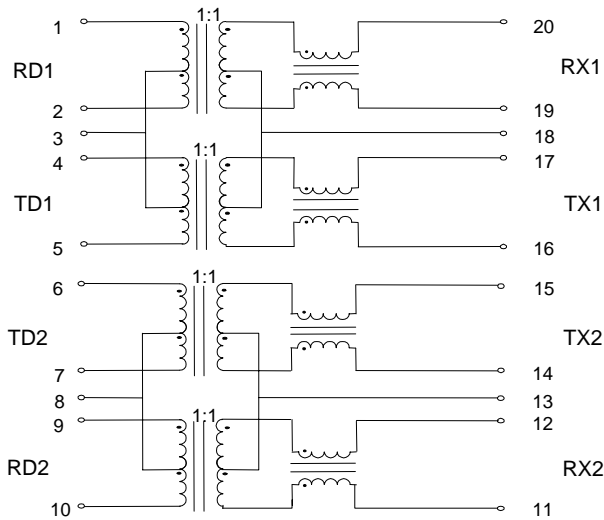
1.2.3

**SCHEMATICS (Continued)**

**S 7**



**S 8**



*Specifications Subject To Change Without Prior Notice*

**Tonyo Electronics Co., Ltd**

**Head Quarters:**  
5F, NO.8, Alley 4, lane 287, sec.1,  
Nankang Rd., Taipei, Taiwan  
Tel: 886-2-2788-2272  
Tax: 886-2-2788-1902

**Singapore Office:**  
515 Yishun Industrial Park A C.E.  
Building, #02-00A Singapore 768737  
Tel: 65-6853-7678  
Fax: 65-6853-2467

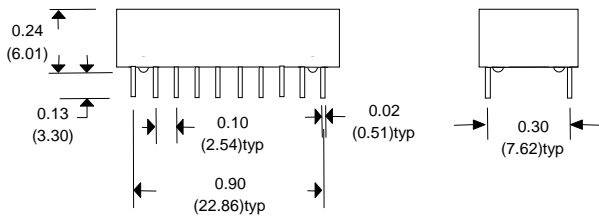
1.2.4

**10/100 Base-T  
Transformer Modules**

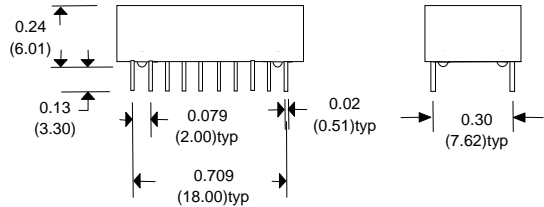
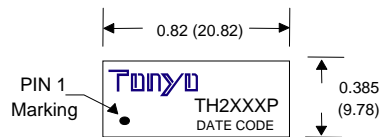
WWW.TONYO.COM.TW

## MECHANICAL SPECIFICATIONS

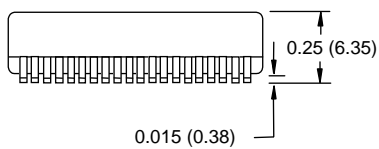
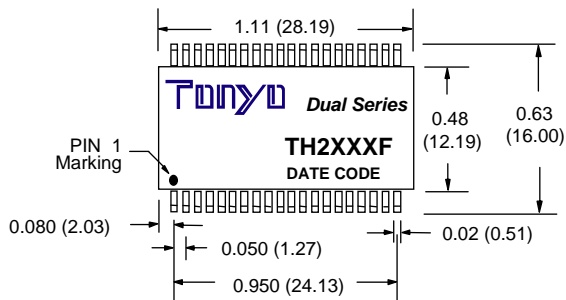
### P 1



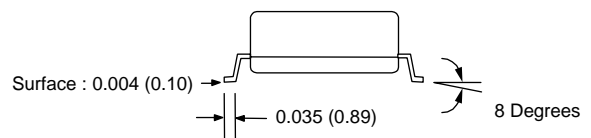
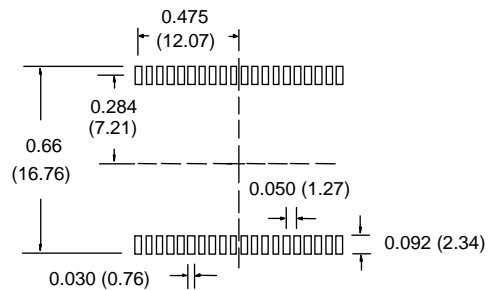
### P 2



### P 3



### RECOMMENDED PAD LAYOUT :



Specifications Subject To Change Without Prior Notice

#### Head Quarters:

5F, NO.8, Alley 4, Lane 287, sec.1,  
 Nankang Rd., Taipei, Taiwan  
 Tel: 886-2-2788-2272  
 Fax: 886-2-2788-1902

#### Singapore Office:

515 Yishun Industrial Park A C.E.  
 Building, #02-00A Singapore 768737  
 Tel: 65-6853-7678  
 Fax: 65-6853-2467

#### Tonyo Electronics Co., Ltd

1.2.5