

Available with or without LEDs

350uH OCL When Biased at 8mA From 0°C to 70°C.

Meets or exceeds IEEE 802.3 standard for 10/100 Base-TX.

Operating temperature 0°C to 70°C.

Storage temperature -40°C to +85°C.

Minimum 1500Vrms isolation per IEEE802.3 requirement

## TRANSFORMER ELECTRICAL SPECIFICATIONS @ 25°C

Part Number	Turns Ratios		Metal Shell	LEDs (L/R)	Insertion Loss (dB typ.)	Return Loss 100Ω±15Ω (dB typ.)				Cross talk (dB typ.)			C.M.R (dB typ.)		Hi-pot (Vrms)
	TX	RX				1-65MHz	1-30	30-60	60-80	1-30	30-60	60-100	1-60	60-100	
M22DS-708110A	1CT:1CT	1CT:1CT	YES	N/A	-1	-18	-16	-12	-40	-35	-30	-40	-30	1500	
M22DS-708111A	1CT:1CT	1CT:1CT	YES	G/Y	-1	-18	-16	-12	-40	-35	-30	-40	-30	1500	
M22DS-708120A	1CT:1CT	1CT:1CT	YES	N/A	-1	-18	-16	-12	-40	-35	-30	-40	-30	1500	
M22DS-708121A	1CT:1CT	1CT:1CT	YES	G/Y	-1	-18	-16	-12	-40	-35	-30	-40	-30	1500	
M22DS-708260A	1CT:1CT	1CT:1CT	YES	N/A	-1	-18	-16	-12	-40	-35	-30	-40	-30	1500	
M22DS-708261A	1CT:1CT	1CT:1CT	YES	G/Y	-1	-18	-16	-12	-40	-35	-30	-40	-30	1500	

**NOTES** :1 . LEDs Left/Right G =green , Y =yellow , N/A =none  
2 . C . M . R . = Common Mode Rejection

## Material Specification

Housing / Insert	: Thermal Plastic , UL94V - 0 , Black
Plastic Cell / Base	: Phenolic PM9630 , UL94V - 0 , Black
Terminal	: Phosphor Broze , Selective gold on contact area , 100u" Tin on solder area , both over 50u" nickel under - plated
Solder leg	: Copper alloy , 100u" tin over 50u" nickel under - plated
Metal shield / Back cover	: Copper alloy , Nickel plated

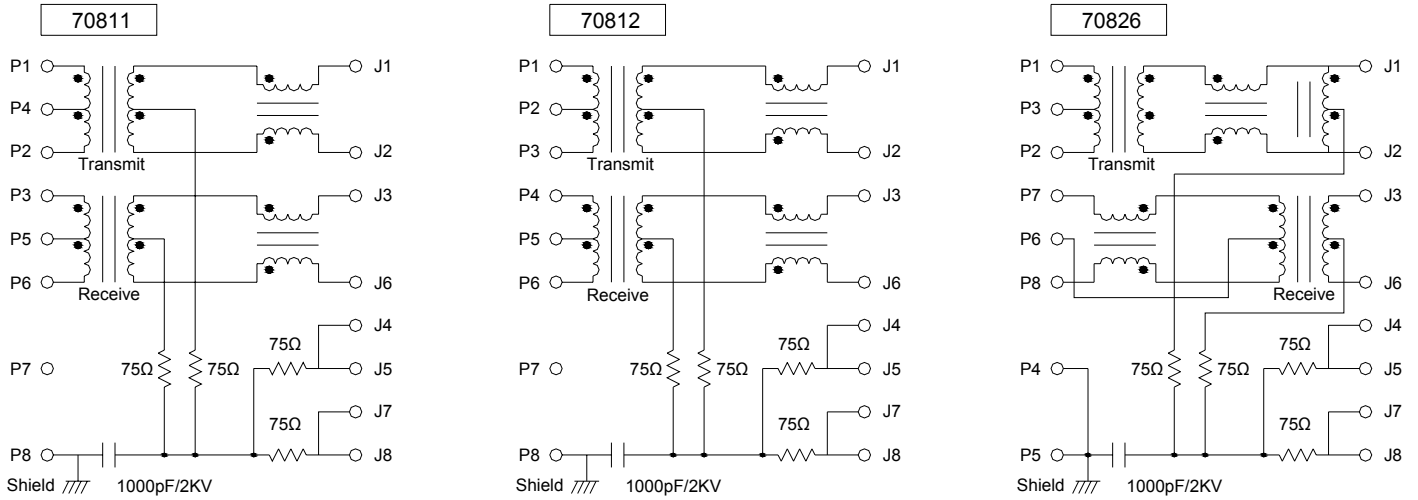
Tonyo Electronics Co., Ltd

3.2.1

10/100 Base-T  
RJ45 1x4 PORT TAB-DOWN

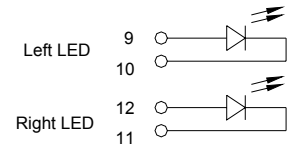


**SCHEMATIC**



**LED CONFIGURATION**

Standard LED	Wavelength	Forward V(max.)	( typ. )
Yellow	585nm	2.5 V	2.1 V
Green	565nm	2.5 V	2.1 V



Specifications Subject To Change Without Prior Notice

**Head Quarters:**  
5F,NO.8,Alley 4,lane 287,sec.1,  
Nankang Rd.,Taipei,Taiwan  
Tel:886-2-2788-2272  
Tax:886-2-2788-1902

**Singapore Office:**  
515 Yishun Industrial Park A C.E.  
Building, #02-00A Singapore 768737  
Tel:65-6853-7678  
Fax:65-6853-2467

**Tonyo Electronics Co., Ltd**

3.2.3